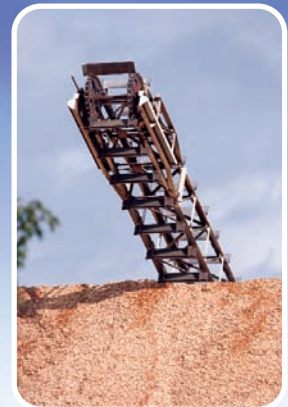


# Advancing Chain Technology

**RENOLD**

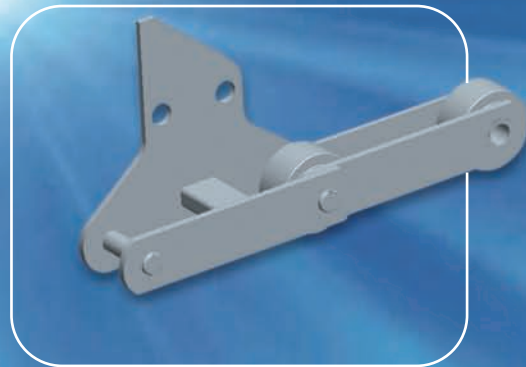
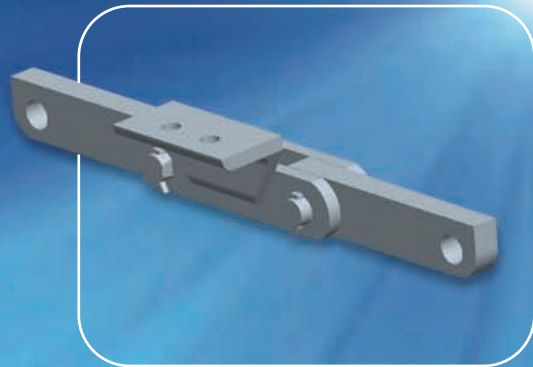
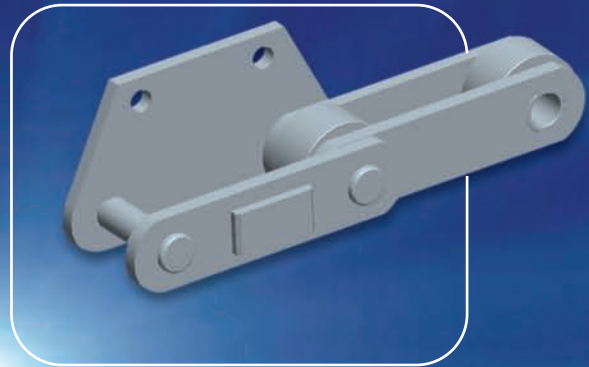
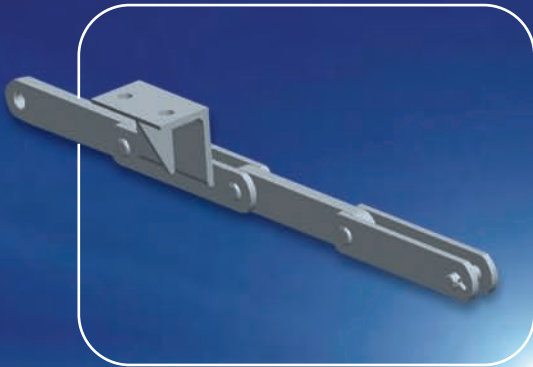
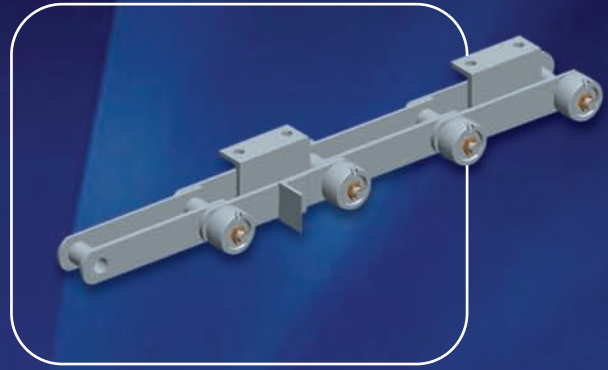
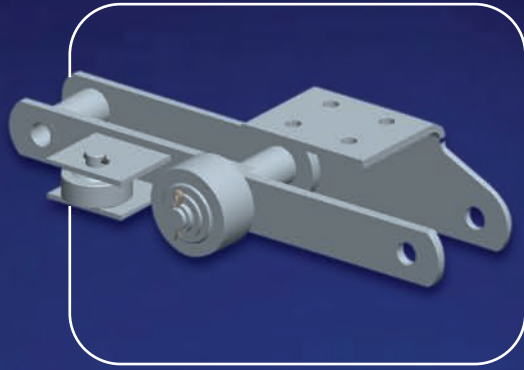


Stacker  
Reclaimer  
Chain



**Renold Chain India** is the domestic source for high-performance, long-lasting replacement chains that keep cement, paper, coal, lime, and phosphate mills running at maximum capacity and uptime. We manufacture a wide selection of heavy-duty tier-A reclaimer chains that are direct retrofits for OEM chains. **Renold Chain India** chains are built to perform and to last — once you drop them in, you're ready again for the long haul.

# Stacker Reclaimer Chain



For every industry, every style of chain and OEM — **Renold Chain India** has the sales and engineering expertise and dedication to provide cost-effective solutions for your demanding applications. Our knowledgeable staff is ready to answer any questions you may have about Renold chain. If you have demanding conditions, **Renold** delivers innovative solutions.

Give us a call at **0422-4226800** or visit our web site at **www.renold.in** — we are ready to assist you.

## **RENOLD**

[www.renold.in](http://www.renold.in)

### **India Headquarters**

6/16/13 Krishnarayapuram Road  
Ganapathy Coimbatore - 641 006  
Tamil Nadu

Tel: +91 (0)422-4226800

Fax: +91 (0)422-2532358

### **Manufacturing Facility**

D.Gudalur Post  
Vedasanthur T.K. Dindigul Dist - 624 620  
TN, India