

Advancing Chain Technology

**RENOLD
JEFFREY**

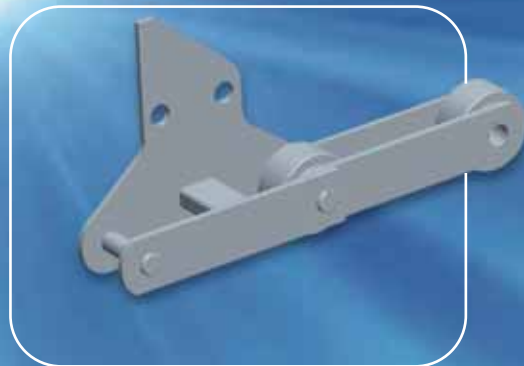
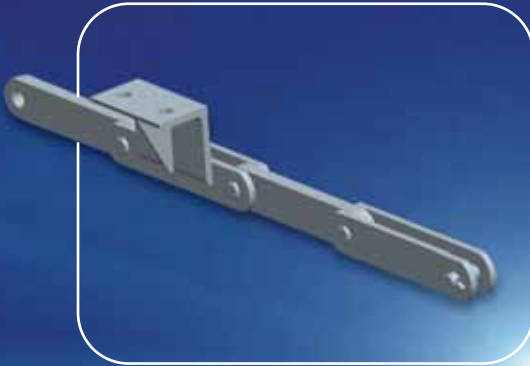
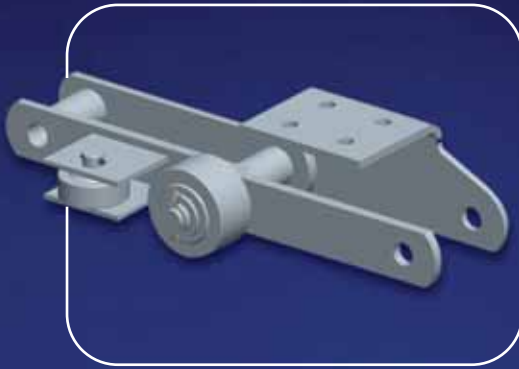


Stacker
Reclaimer
Chain



Renold Jeffrey is the domestic source for high-performance, long-lasting replacement chains that keep cement, paper, coal, lime, and phosphate mills running at maximum capacity and uptime. We manufacture a wide selection of heavy-duty tier-A reclaimer chains that are direct retrofits for European-built OEM chains. **Renold Jeffrey** chains are built to perform and to last — once you drop them in, you're ready again for the long haul.

Stacker Reclaimer Chain



For every industry, every style of chain and OEM — **Renold Jeffrey** has the sales and engineering expertise and dedication to provide cost-effective solutions for your demanding applications. Our knowledgeable staff is ready to answer any questions you may have about Jeffrey chain. If you have demanding conditions, **Renold Jeffrey** delivers innovative solutions.

Give us a call at **(800) 251-9012** or visit our web site at **www.renoldjeffrey.com** — we are ready to assist you.

**RENOLD
JEFFREY**

Advancing Chain Technology™
www.renoldjeffrey.com



© 2010 Renold Jeffrey Printed in U.S.A.
RJ010-1

**Corporate
Headquarters**
2307 Maden Drive
Morristown, TN 37813

Tel: (423) 586-1951
Tel: (800) 251-9012
Fax: (423) 581-2399

**National Service
Center (Canada)**
622 rue De Hull
Ville LaSalle, QC
H8R 1V9

Tel: (514) 367-1764
Tel: (800) 265-9970
Fax: (514) 367-4993

**West Coast
Service Center**
2301 A Stagecoach Rd.
Stockton, CA 95215

Tel: (209) 466-4646
Tel: (800) 251-9012
Fax: (209) 466-1749